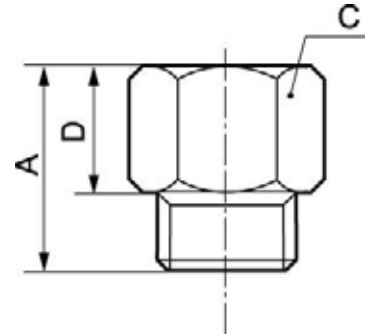


FITTINGS EXTENDERS, PLUGS

Parallel female/female extender - A6



Min/max operating pressure

0 / 218 psi

Part number	Female thread	Net weight (Kg)	Dim. A (inch)	Dim. C (inch)	Dim. D (inch)
A6 1438	G1/4; G3/8	0,044	1	0.87	0.65